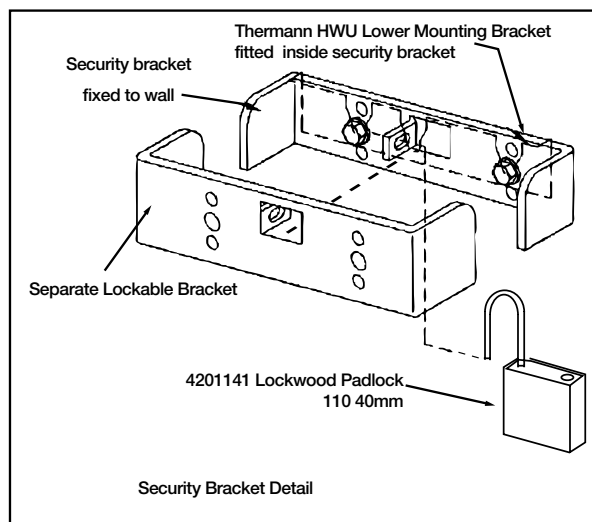
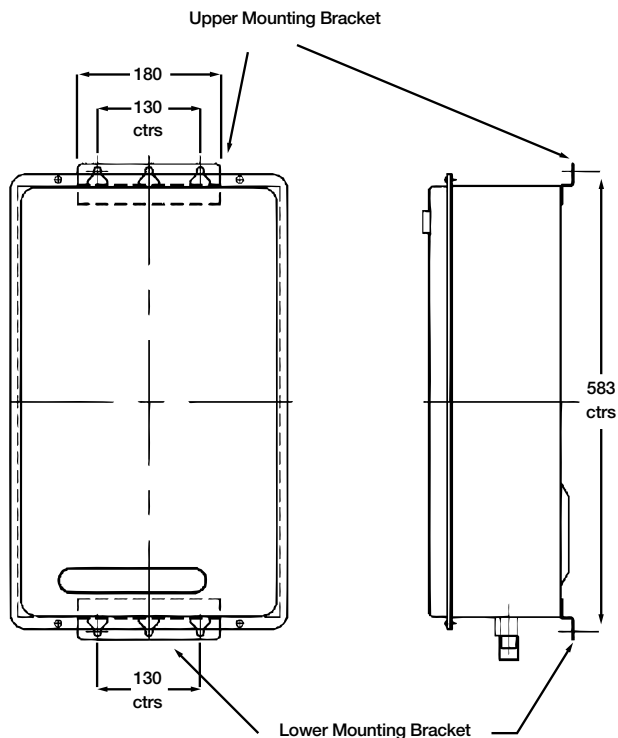


SECURITY BRACKET

For Thermann Gas Continuous Flow Water Heater

Models: - 16NG50/16LP50, 16NG60/16LP60, 20NG50/20LP50, 20NG60/20LP60, 26NG50/26LP50, 26NG60/26LP60



The location of the Thermann HWU installation must comply with AS 5601

Installation Instructions

Locking a Thermann Gas Continuous Flow Water Heater to an existing wall using the security bracket:

- The heater must be installed by using a fixing method sufficient to support the weight of the unit. The upper bracket has a centre hole so that the appliance can be positioned by hanging it on 1 screw, then the lower bracket with security bracket can be positioned.

NOTE: The security bracket consists of a pair of identical brackets:

- 1 to fix to the wall
 - Another to be locked over the first bracket using a padlock
- Slide 1 security bracket under lower mounting bracket, against the wall face and align both brackets. Locate the lower mounting bracket over the centre protruding tongue and sides of the security bracket.
 - Anchor the Thermann unit to wall fully with suitable fasteners through both lower mounting bracket and security bracket. Also fit remaining suitable fasteners to upper bracket.
 - Fit the 2nd lockable security bracket over the wall mounted lower bracket, lining up the holes in the tongues.
 - Padlock (Reece code 4201141 - Lockwood Padlock 110 40mm) can be fitted through the tongues of both brackets for security.